

HEAT SHRINK SPADES / QUICK CONNECTS FEMALE

Dimensions of diagram								
Part Number	Colour	NEMA TAB	B	F	L	E	d1	D
QFF1-6NCS	Red	0.8 X 6.4	6.6	7.9	22	10.5	1.7	4.2
QFF2-6NCS	Blue	0.8 X 6.4	6.6	7.9	22	10.5	2.3	4.9
QFF5-6NCS	Yellow	0.8 X 6.4	6.6	7.9	24.5	13	3.4	6.5



NOTE:

MAXIMUM ELECTRICAL RATING: 105°c 300 VOLTS

QFF1-6NCS

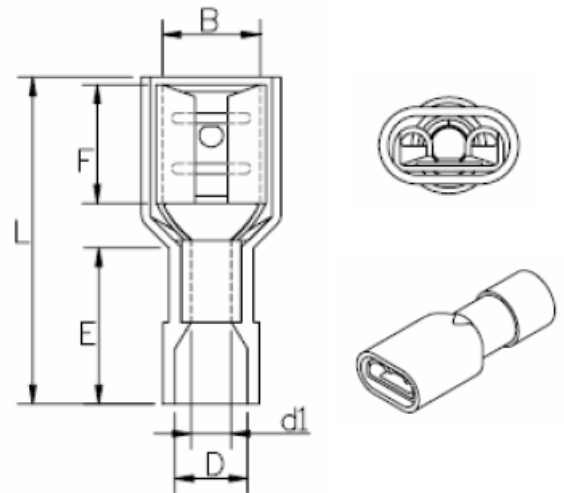
1. WIRE RANGE: AWG 22-16 DIN 0.5-1.5mm 10 AMPERE MAX
2. WIRE SIZE: 0.25-1.65mm
3. INSULATED COLOUR: RED

QFF2-6NCS

1. WIRE RANGE: AWG 16-14 DIN 1.5-2.5mm 15 AMPERE MAX
2. WIRE SIZE: 1.04-2.63mm
3. INSULATED COLOUR: BLUE

QFF5-6NCS

1. WIRE RANGE: AWG 12-10 DIN 4-6mm 24 AMPERE MAX
2. WIRE SIZE: 2.63-6.64mm
3. INSULATED COLOUR: YELLOW



Disclaimer: Every reasonable effort has been made to ensure that this spec is correct at the time of printing, however Sunshine Coast Marine Electrical Doctor and it's employees, disclaim any and all liability to any person in respect of anything or the consequences of anything done or omitted to be done in reliance of the whole or any part of this spec.